



< 1500 l/min
(25 l/sec)



PUR, PVC
or Rubber



-40°C - +70°C



< 15 m

Made in Sweden



Open Safety Hose Reel

Hose reel with integrated Air fuse mounted directly on the inlet side of the reel

Features & Benefits

Open reel design in all steel and stainless steel/brass axle suitable for tough environment

Full-Flow Ultra-lightweight PU braided hose for industrial environments

High-Grade, Heavy Duty rubber hose for grinding or other spatter environments

Full-flow axle design well suitable for tools up to 25 l/sec!

Optional:

Revolving hinge with 170° rotation, easy to reach your application accurately

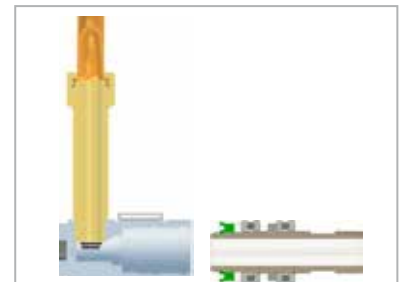
Safety coupling that vents out the pressure before it disconnect, different models available



Quick detachable and refittable main hose for easy maintainability



Air Fuse mounted on inlet

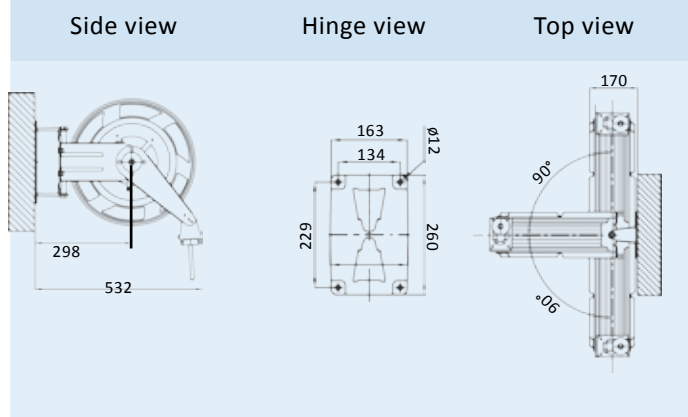


Brass Full-Flow swivel with Axle bearings and Stainless Steel shaft with Needle bearings

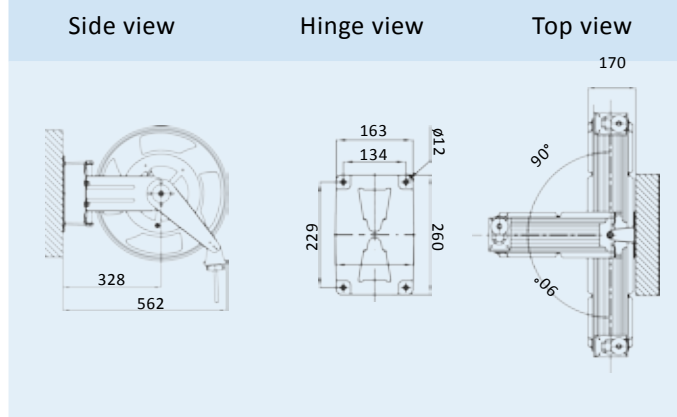


Optional revolving hinge
Part number 395.1065

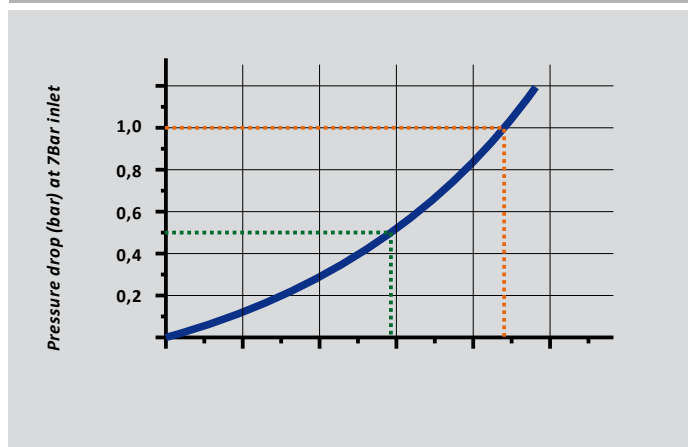
Dimensions 334



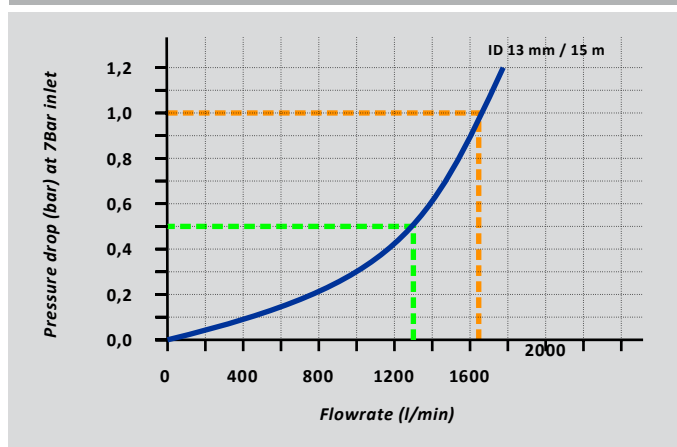
Dimensions 335



Airflow chart 334



Airflow chart 335



OPEN SAFETY REEL SERIES 334 & 335 - Standard technical data

	Hose Length	Hose ϕ mm	Lead Hose	Hose Material	Temperature & Pressure	Thread In/Out	Weight	Part Number
Standard HQ PU	15 m (49 ft)	10 x 14 mm (3/8")	2m w. Air Fuse	Ester-PUR (100%)	- 20°C to +60°C 20 bar (290 psi)	3/8" BSPT	11.5 kg (25.4 lbs)	334.3000
Standard POLAR PU	15 m (49 ft)	10 x 14 mm (3/8")	2m w. Air Fuse	Ether-PUR (100%)	- 40°C to +70°C 20 bar (290 psi)	3/8" BSPT	11.5 kg (25.4 lbs)	334.3200
Standard HQ Rubber	15 m (49 ft)	10 x 17 mm (3/8")	2m w. Air Fuse	Rubtech (100%)	- 30°C to +70°C 20 bar (290 psi)	3/8" BSPT	13.4 kg (29.5 lbs)	334.3100
Standard HQ PU	15 m (49 ft)	13 x 18 mm (1/2")	2m w. Air Fuse	Ester-PUR (100%)	- 20°C to +60°C 20 bar (290 psi)	3/8" BSPT	12 kg (26.5 lbs)	335.3000
Standard POLAR PU	15 m (49 ft)	13 x 18 mm (1/2")	2m w. Air Fuse	Ether-PUR (100%)	- 40°C to +60°C 20 bar (290 psi)	3/8" BSPT	12 kg (26.5 lbs)	335.3200
Standard HQ Rubber	15 m (49 ft)	13 x 20 mm (1/2")	2m w. Air Fuse	Rubtech (100%)	- 30°C to +70°C 20 bar (290 psi)	3/8" BSPT	13.9 kg (30.6 lbs)	335.3100