



< 600 l/min
(10 l/sec)



100% PUR
(soft Ester)



-20°C - +60°C



< 12 m

MEDIUM steel air hose reel

Features & Benefits

- All mechanical parts made in metal
 - suitable for very tough environments
- Ultra-lightweight & soft PU braided hose
 - Comfortable handling even at very low temperatures
- 9.5x13 mm / 12 m or 8x14 / 10 m true rollable working length
 - Store the hose completely back to the reel
- Full-flow axle design
 - Well suitable for tools up to 10 l/sec
- Revolving hinge with 200° rotation
 - Easy to reach your application accurately

Optional Accessories

- High-flow Coupler / Plug
- 1/4" or 3/8" ball-bearing swivel fittings

Special versions on request

- For areas with low temperatures down to -30°C
- fitted with Ultrasoft Ether based PU braided hose

Other colors of casing

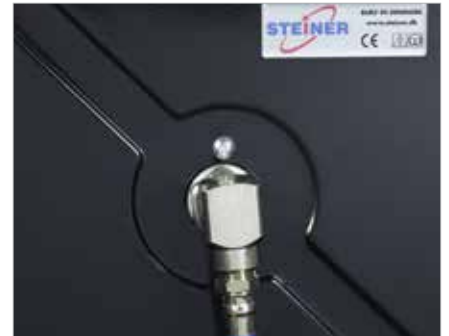
Other colors or qualities of hoses



All parts in quality steel or aluminium for maximum resistibility

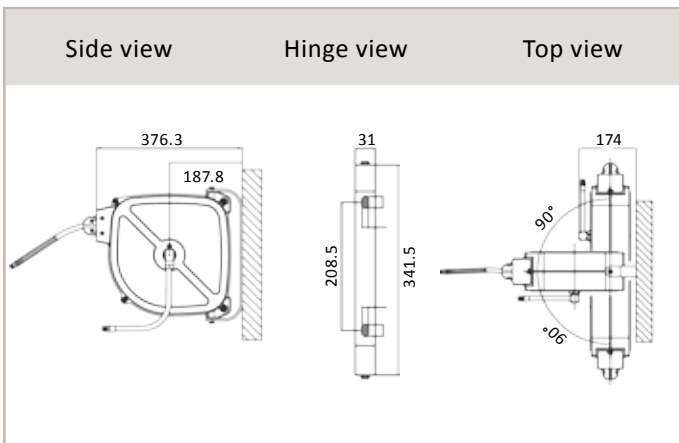


Adjust the spring return power easily from outside to your demand

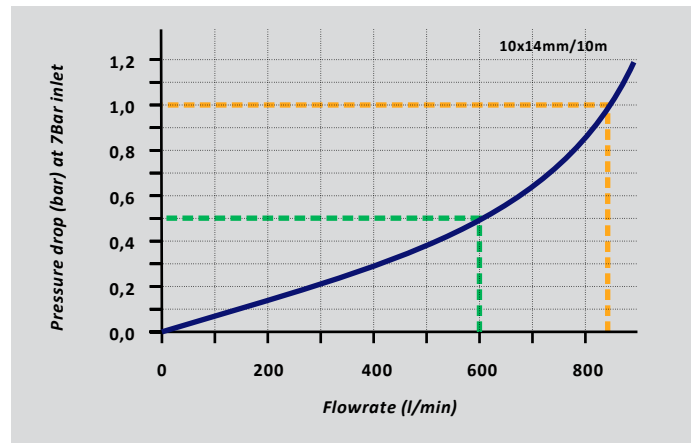


Coaxial center swivel for easy service and optimized flow

Dimensions



Airflow chart



PORTABLE REEL SERIES 320 - Versions and technical data

	Hose Length	Hose ø mm	Lead Hose	Hose Material	Temperature & Pressure	Thread In/Out	Weight	Part Number
Standard version	12 m (40 ft)	9.5 x 13 (3/8")	1.5 m (5 ft)	Ester-PUR (100%)	- 20°C to +60°C 20 bar (290 psi)	1/4" - 1/4" BSPT	9.8 kg (21.6 lbs)	320.1000
Sparkproof version	10 m (33 ft)	8 x 14 mm (5/16")	1.5 m (5 ft)	PUR/PVC mix	- 20°C to +60°C 20 bar (290 psi)	1/4" - 1/4" BSPT	9.5 kg (21 lbs)	320.1200